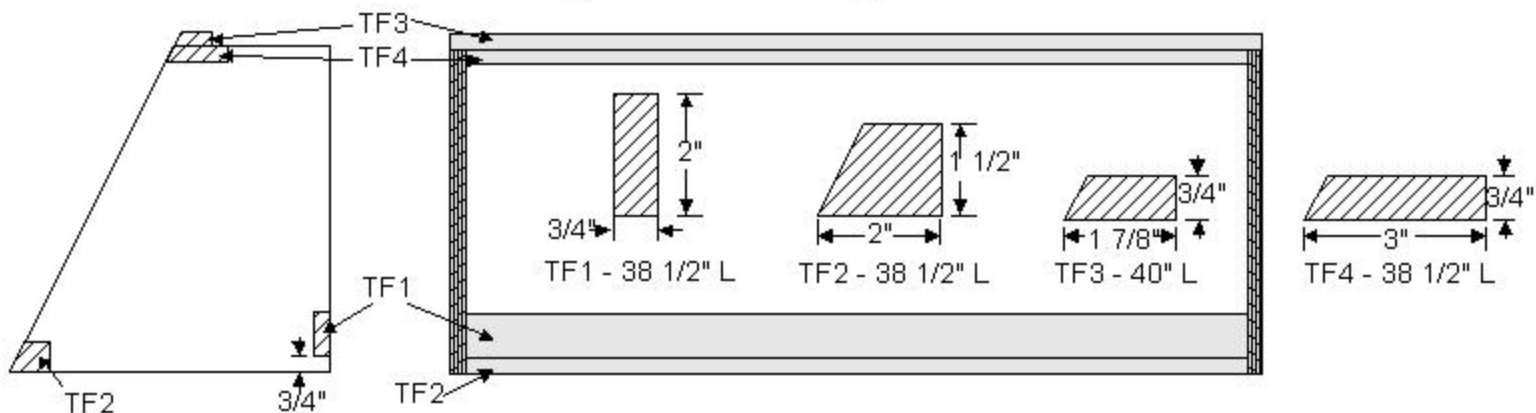
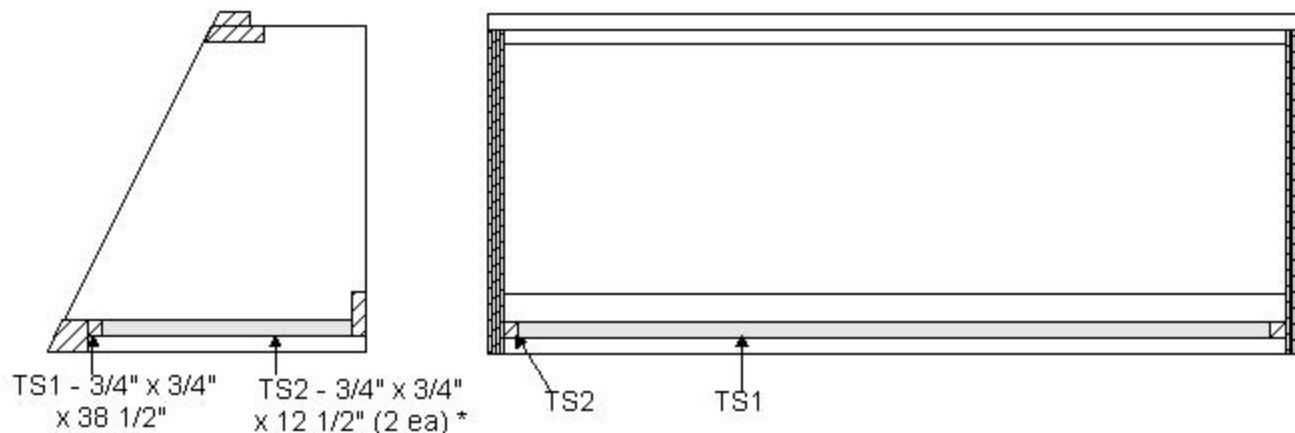


## Diagram TB2 - Tongue Box Detail



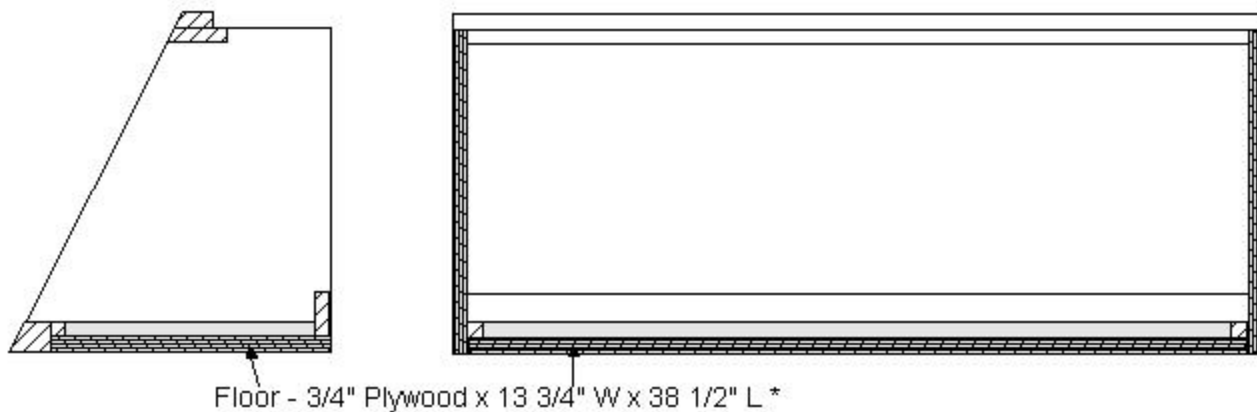
1st construction step. Attach framing spars TF1, TF2, TF3 and TF4 to ends



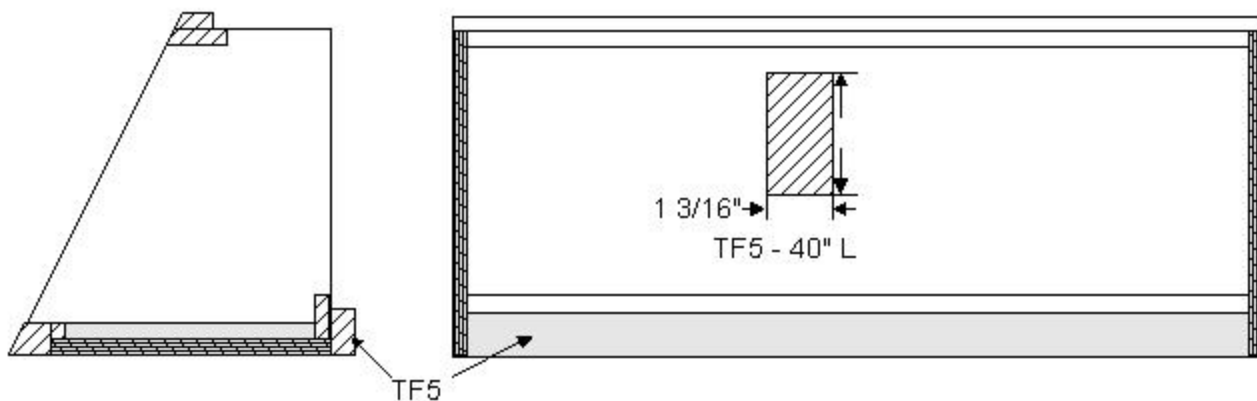
2nd construction step. Attach floor support pieces to ends and spar TF2.

\* Measure to be sure of exact lengths

## Diagram TB2 - Tongue Box Detail



3rd construction step. Attach floor to floor support pieces and spar TF1.



4th construction step. Attach spar TF5 to ends, TF1 and front edge of floor.  
(The door hinge will attach to TF5)

\* Measure to be sure of exact width to fit